



SCHLUMPF USA

39 Enterprise Drive, Suite 1, Windham, ME 04062 USA
T: +1 207 893 1903 F: +1 207 893 1905
sales@schlumpf-inc.com www.schlumpf-inc.com

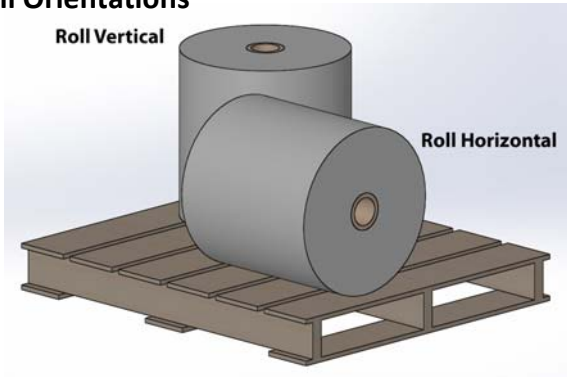
Roll Handling Application Quote Request Form

Application information is required prior to quotation! Information supplied to Schlumpf USA will be considered proprietary and confidential. Revised Nov. 2015. Subject to disclaimers. Changes to application data may effect pricing and delivery times!

Company: _____ Address: _____ Tel: _____
 Contact: _____ Fax: _____
 End User: _____ E-Mail _____

Equipment Type: Check: **Hoist & Crane Based** **Portable Floor Based** **Stationary** **Other** _____

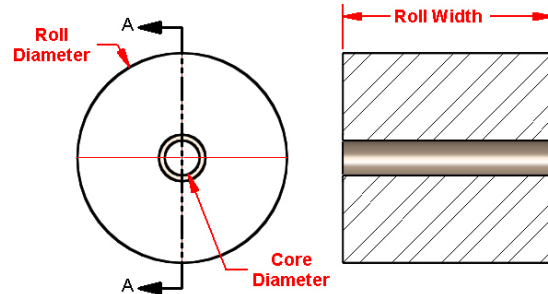
Roll Orientations



What do you want to do:

Lift Only Horizontal Vertical Lift & Turn
 By the Core By the OD Combination ID/ OD

Roll & Core Specifications:



Values: Inch Metric
 Max. roll weight? _____ Min. roll weight? _____
 Max. roll width? _____ Min. roll width? _____
 Max. roll diameter? _____ Min. roll diameter? _____
 Roll material? _____ Will roll telescope? _____
 Core size(s)? _____ Core Material? _____

Mandrel / Probe Options—Check:

Remote retract
 Pneumatic retract
 Manual retract
 Surface rollers
 Bumper nose
 Additional length
 Shaft coupling
 Non-standard gripper
 Core stop

Machine / Device Options—Check:

Side shift
 Camera system
 Hoist integration
 Roll pusher
 Spare Battery Pack
 Charging station
 Precision alignment
 Floor brakes
 Spare mandrel holder

Describe Application / Reasons For Request:

New process? Replace Existing System? Operator Injury?
 Safety Concerns? Increase Productivity?
 Usage Cycles / Hour _____ Shifts _____
 Photos / Videos Available? Purchase Timeline? _____
 Restrictions to workspace / environment? Describe:

Operating Requirements:

Available power sources:
 Electric _____ VAC x _____ Hz x _____ P
 Air _____ Psi / Bar

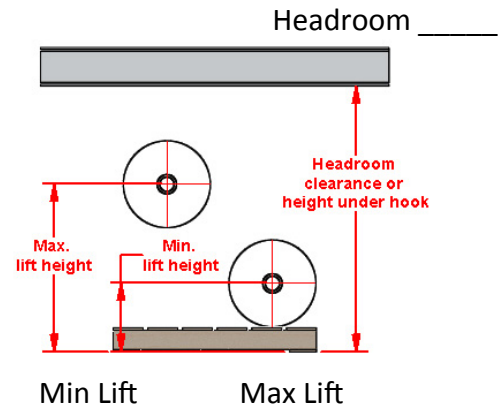
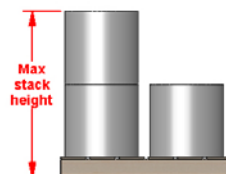


Pallet W _____ L _____ H _____

Access Full 4 sides & corners

Limited _____ sides Rolls / Layer _____

Stack Height _____



Min Lift _____ Max Lift _____