

Electric planetary winches

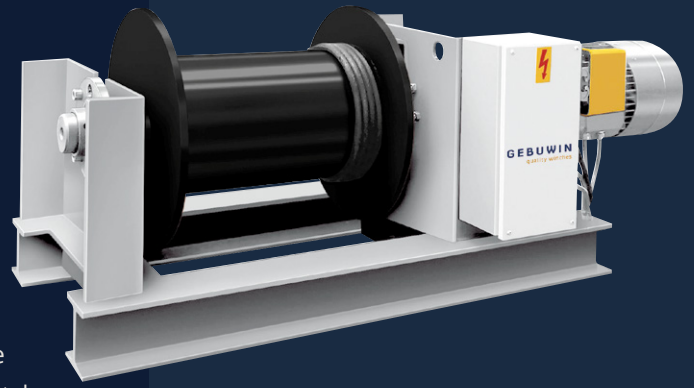
2000 – 30000 kg

Description of the winch

Electric planetary winch, with many possible options to increase the ease of use, 30 ton capacity, strong and user-friendly winch. In short, be surprised what this winch can do for you.

Product specifications

- > robust and safe electric lifting and pulling winch
- > precision drive by planetary gear



Options (code)

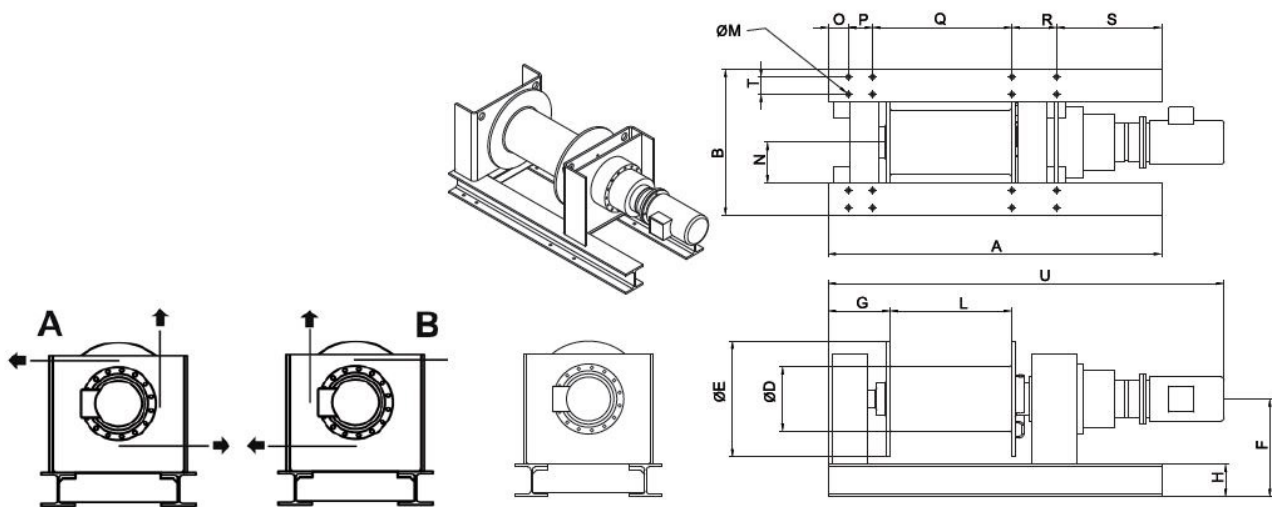
- available as electric lifting winch
- increase of cable storage per 10 m
- grooved drum (GD)
- multiple cable drum compartments (XD)
- disengaging clutch (except for 125 kg model)
- wall mounted control switch
- low voltage control 42 V control
- double speed
- radio control (RC)
- frequency control
- protection classification up to IP66
- ATEX certified (EX)

Accessories

- steel or stainless steel wire rope ([p. 55](#))
- pulley block ([p. 57](#))

CE   [Product & instruction video on YouTube](#)

Technical specifications EP2000–20000



Dimensions (mm)	A	B	D	E	F	G	H	L	M	N	O	P	Q	R	S	T	U
EP2000	1450	544	133	300	320	215	100	530	13	172	70	100	700	100	480	56	1530
EP3200	1450	544	159	320	320	215	100	610	13	172	70	100	700	100	480	56	1650
EP4000	1450	544	178	350	320	215	100	580	13	172	70	100	700	100	480	56	1620
EP5000	1530	620	203	400	370	204	120	610	17	190	90	75	700	75	590	70	1720
EP6300	1530	620	219	430	370	204	120	610	17	190	90	75	700	75	590	70	1790
EP8000	1650	724	254	510	485	301	160	600	23	202	100	120	690	220	520	86	1900
EP10000	1650	724	279	550	485	301	160	600	23	202	100	120	690	220	520	86	1900
EP12500	1650	724	318	610	485	301	160	600	23	202	100	120	690	220	520	86	2040
EP16000	1850	1000	356	685	595	378	220	600	25	280	150	200	700	200	600	120	2140
EP20000	1850	1000	394	760	595	378	220	600	25	280	150	200	700	200	600	120	2310

Technical specifications	Unit	EP2000	EP3200	EP4000	EP5000	EP6300	EP8000	EP10000	EP12500	EP16000	EP20000
Capacity 1st layer	kg	2000	3200	4000	5000	6300	8000	10000	12500	16000	20000
Lifting speed	m/min	3,5	2	1,5	1	1	1	0,7	0,6	0,5	0,5
Rope diameter-Ø	mm	10	12	13	14	16	18	20	22	25	28
Rope storage 1st layer	m	20	23	22	25	20	22	22	22	22	22
Rope storage top layer	m	135	160	150	165	155	155	155	160	160	160
Min. breaking load cable	kN	71	114	142	178	224	284	355	444	568	710
Motor output (400 V)	kW	1,4	1,4	1,4	1,4	1,4	1,4	1,4	1,4	1,4	2
Current (400 V)	A	5,6	5,6	5,6	5,6	5,6	5,6	5,6	5,6	5,6	6,5
Weight (without rope)	kg	260	305	310	415	455	685	700	815	1210	1320