

Electric worm gear winches

125 – 3200 kg

Description of the winch

Industrial electrical pulling and lifting winch, robust but also safe. The winch is IP55 standardised and therefore resistant to splash water. And its thick housing with a high FEM value of at least 1 CM is a fine example of craftsmanship.

Product specifications

- > robust and safe electric lifting and pulling winch
- > maintenance free ball bearings
- > protection classification IP55, insulation class B
- > standard overload protection starting from 1000 kg
- > standard 1 meter pendant control switch
- > operation mode S3-40% - 120 c/h
- > paint thickness is 60 - 80 micron in 1 layer and in compliance with DIN/ISO 12944, C1M - RAL7035 (grey)



Options (code)

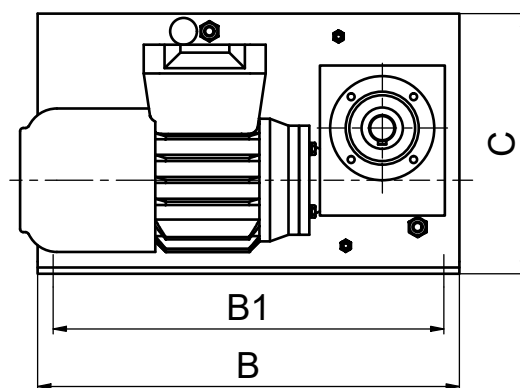
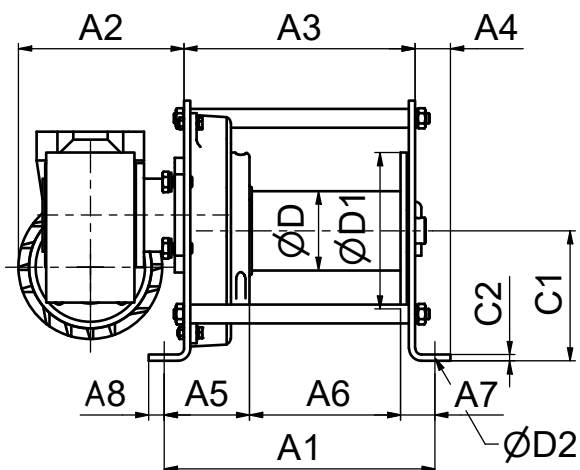
- available as electric lifting winch (limitswitch and low voltage control are required)
- increase of cable storage per 10 m
- grooved drum (GD)
- multiple cable drum compartments (XD)
- disengaging clutch (except for 125 kg model)
- wall mounted control switch
- low voltage control 42 V control
- double speed
- radio control (RC)
- frequency control
- protection classification up to IP66
- ATEX certified (EX)

Accessories

- steel or stainless steel wire rope ([p. 55](#))
- pulley block ([p. 57](#))

CE   [Product & instruction video on YouTube](#)

Technical specifications EW125-3200



| Dimensions (mm) | A1 | A2 | A3 | A4 | A5 | A6 | A7 | A8 | B | B1 | C | C1 | C2 | D | D1 | D2 |
|-----------------|-----|---------|-----|----|-----|-----|----|----|-----|-----|-----|-----|----|-----|-----|----|
| EW125 | 205 | 195/165 | 171 | 30 | 4 | 135 | 27 | 13 | 405 | 375 | 215 | 140 | 4 | 60 | 130 | 9 |
| EW250 | 260 | 195/165 | 222 | 34 | 78 | 150 | 32 | 15 | 405 | 375 | 250 | 125 | 6 | 60 | 150 | 11 |
| EW500 | 260 | 195/165 | 222 | 34 | 82 | 145 | 33 | 15 | 405 | 375 | 250 | 125 | 6 | 76 | 150 | 11 |
| EW1000 | 345 | 240/216 | 289 | 45 | 99 | 198 | 48 | 17 | 575 | 535 | 270 | 155 | 10 | 108 | 180 | 13 |
| EW2000 | 440 | 240/216 | 358 | 61 | 173 | 200 | 67 | 20 | 600 | 550 | 385 | 171 | 15 | 146 | 245 | 17 |
| EW3200 | 525 | 198 | 443 | 61 | 193 | 257 | 75 | 20 | 600 | 550 | 405 | 191 | 15 | 216 | 370 | 17 |

| Technical specifications | Unit | EW125 | EW250 | EW500 | EW1000 | EW2000 | EW3200 |
|--------------------------|-------|------------|------------|------------|----------|--------|--------|
| Capacity 1st layer | kg | 125 | 250 | 500 | 1000 | 2000 | 3200 |
| Capacity top layer | kg | 90 | 180 | 340 | 780 | 1560 | 2500 |
| Lifting speed | m/min | 7,8(15) | 5(10) | 2,5(5) | 4,5(9) | 4,5 | 4,5 |
| Rope diameter-Ø | mm | 4 | 4 | 6 | 8 | 11 | 16 |
| Rope storage 1st layer | m | 6,4(5) | 7,1(5,6) | 5,7(4,8) | 8,4(6,8) | 8(6,3) | 9(8) |
| Rope storage top layer | m | 32(30) | 35(34) | 30(29) | 30(29) | 30(28) | 37(36) |
| Min. breaking load cable | kN | 5 | 9 | 18 | 36 | 70 | 114 |
| Motor output (230 V) | kW | 0,37(0,75) | 0,37(0,75) | 0,37(0,75) | 1,3(2,6) | 2,6 | - |
| Motor output (400 V) | kW | 0,37(0,75) | 0,37(0,75) | 0,37(0,75) | 1,3 | 2,6 | 3 |
| Current (230 V) | A | 4(5,2) | 4(5,2) | 4(5,2) | 9,1 | 9,1 | - |
| Current (400 V) | A | 1,1(1,9) | 1,1(1,9) | 1,1(1,9) | 3,2(6) | 6 | 7 |
| Weight (without rope) | kg | 27 | 37 | 40 | 88 | 160 | 210 |

() = version with double cable speed