

Worm gear hand winches

250 – 1500 kg

Description of the winch

This hand winch is very safe due to the natural braking effect of the worm gear transmission in combination with the load pressure brake. In addition, the winch is easy to use, can be mounted in various ways and has a cable storage up to 120 meters.

Product specificaties

- > robust and safe lifting and pulling winch in compliance with EN13157
- > static safety factor 4
- > right angled, easy to grease worm transmission and maintenance free bearings
- > load pressure brake with double ratchet system for safe stable hold of the load in any position
- > cable outlet upwards, downwards or at rear
- > adjustable crank, with ergonomic grip
- > suitable for wall and floor mounting
- > large rope capacity
- > simple and quick attachment
- > paint thickness is 60 - 80 micron in 1 layer and in compliance with DIN/ISO 12944, C1M - RAL 7035 (grey)
- > corrosion resistant



Options (code)

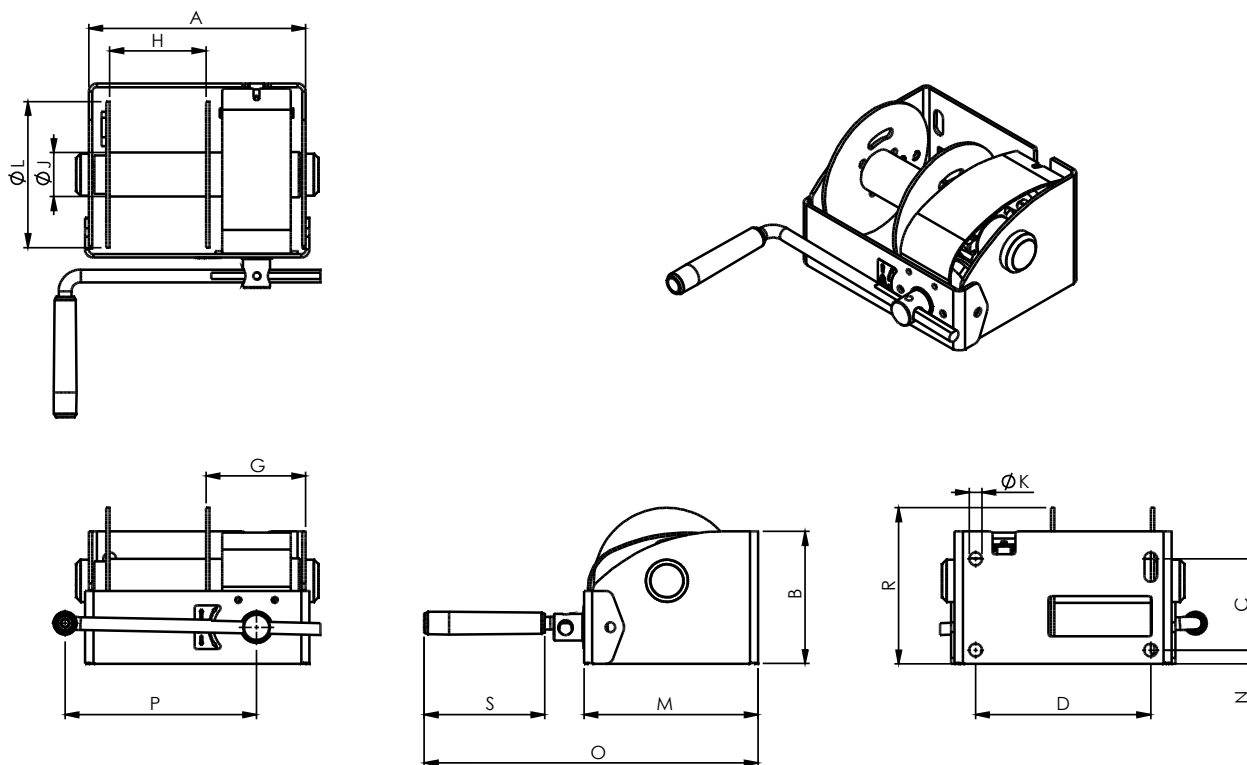
- zinc-plated finish 6 - 8 micron (EV)
- 2 layers of paint according to C3M (2L)
- grooved drum (GD)
- 2 drum compartment (2D)
- suitable to use with webbing belt W:50 mm D:2 mm (WB)
 - belt storage WW250: 10 m
 - belt storage WW500: 14 m
 - belt storage WW1000-1500: 15 m
- suitable for floor mounting (FM)
- ATEX certified zone 2 and 22 (EX)
 - CE II 3G Ex IIC T4 Gc, -20°C<T amb <+70°C
 - CE II 3D Ex IIIC T135°C Dc, -20°C<T amb <+70°C
- custom options possible - [on request](#)

Accessories

- steel or stainless steel wire rope ([p. 55](#))
- pulley block ([p. 57](#))
- electric or airmotor as from WW1000 ([p. 59](#))

CE Ex  [Product & instruction video on YouTube](#)

Technical specifications WW250-1500



Dimensions (mm)	A	B	C	D	G	H	J	K	L	M	N	O	P	R	S
<u>WW250</u>	238	145	100	192	107	105	48	14	160	191	15	365	325	171	132
<u>WW500</u>	269	160	115	223	108	135	70	14	190	221	15	393	325	193	132
<u>WW1000</u>	302	195	141	254	109	162	102	17	240	266	15	440	350	263	132
<u>WW1500</u>	302	250	178	254	109	162	102	17	240	278	15	451	350	306	132

Technical specifications	Unit	<u>WW250</u>	<u>WW500</u>	<u>WW1000</u>	<u>WW1500</u>
Capacity 1st layer	kg	250	500	1000	1500
Capacity 4th layer	kg	179	355	722	1025
Capacity top layer	kg	92	224	527	846
Rope diameter-Ø	mm	4	6	8	10
Rope storage 1st layer	m	3,6	4,3	4,7	4,2
Rope storage 4th layer	m	18,7	22,8	25,6	24
Rope storage top layer	m	104	78	63	41
Lift per crank rotation	mm	17	20	13	9
Crank effort at full load	daN	5	10	13	14
Weight (without rope)	kg	10	13	22	24
Article number	no.	77281100	77281350	77281600	77281850